

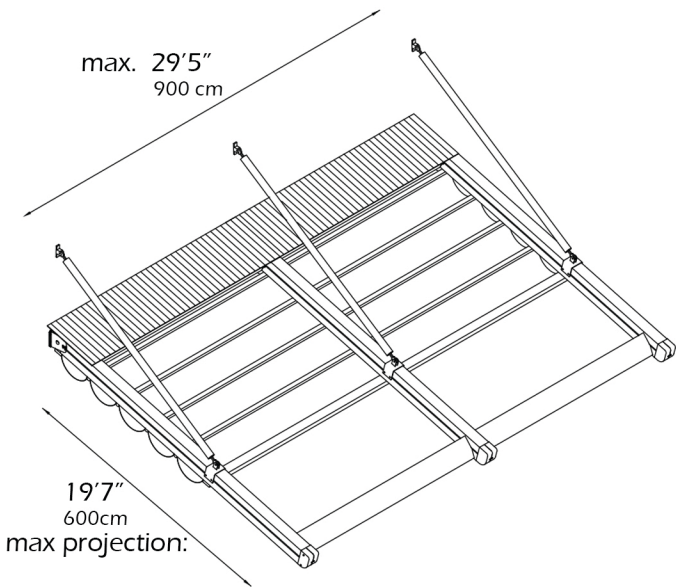
Two Module

14'8" > 29'5"  
450cm > 900cm

# MN3

Two module with one motor & 3 rafters

max width. 29'5"  
900 cm



For additional technical information : Tel. 954 317 3862  
[www.SuntechDesigns.com](http://www.SuntechDesigns.com)