

SUNTECH

flat LT [FLT2]

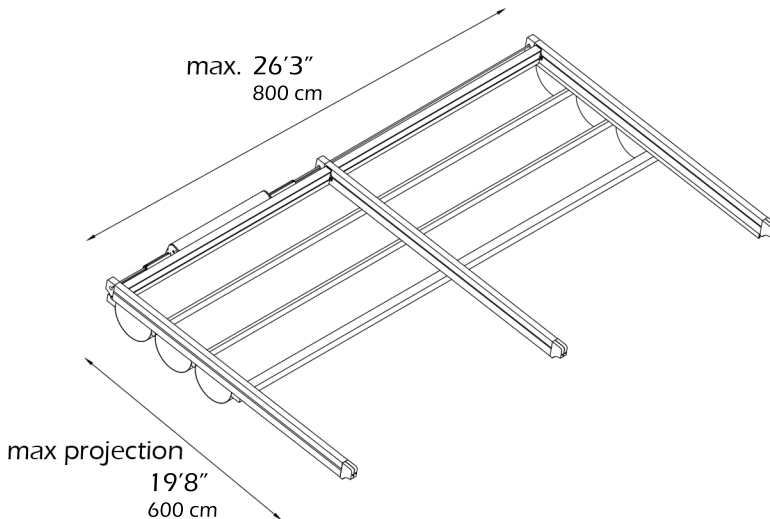
module 2

13' 1" > 26' 3"
400cm > 800cm

Two module with one motor & 3 rafters

max width. 26'3"

800 cm



For additional technical information : Tel. 954 317 3862

www.SuntechDesigns.com