

SUNTECH

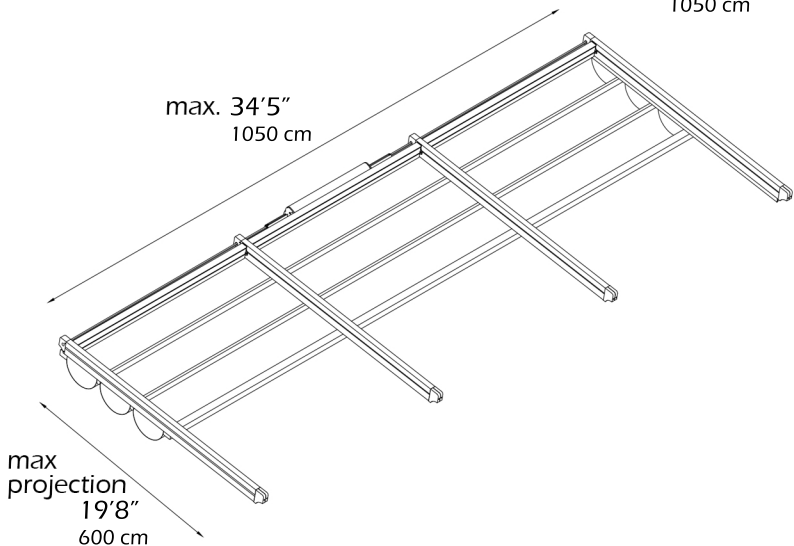
flat LT [FLT3]

module 3

26' 3" > 34' 5"
800cm > 1050cm

Three module with two motors & 4 rafters

max width. 34'5"
1050 cm



For additional technical information : Tel. 954 317 3862
www.SuntechDesigns.com