

SUNTECH

eva [E3]

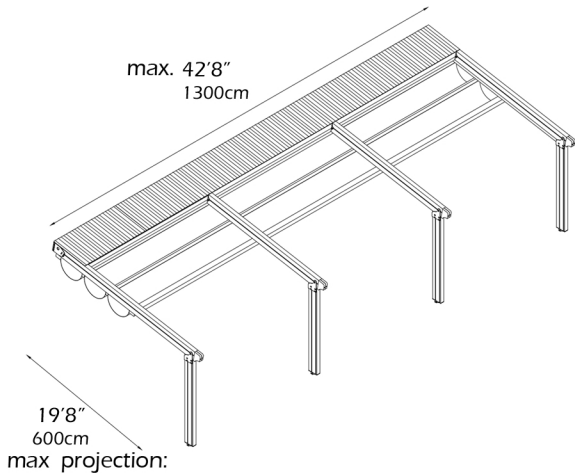
module 3

29' 6" - 42' 8"
900cm - 1300cm

Three module with one motor & 4 rafters

max width. 42'8"

1300cm



For additional technical information : Tel. 954 317 3862

www.SuntechDesigns.com