

## module 1

9' 10" > 11' 6"

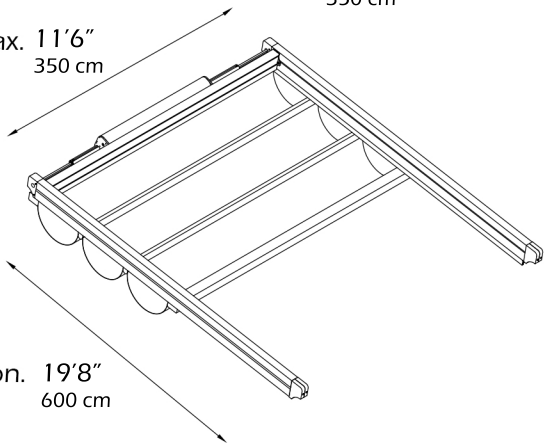
300cm > 350cm

One module with one motor & 2 rafters

max width. 11'6"

350 cm

max. 11'6"  
350 cm



max projection. 19'8"  
600 cm

For additional technical information : Tel. 954 317 3862

[www.SuntechDesigns.com](http://www.SuntechDesigns.com)