

module 1

9' 10" > 11' 6"

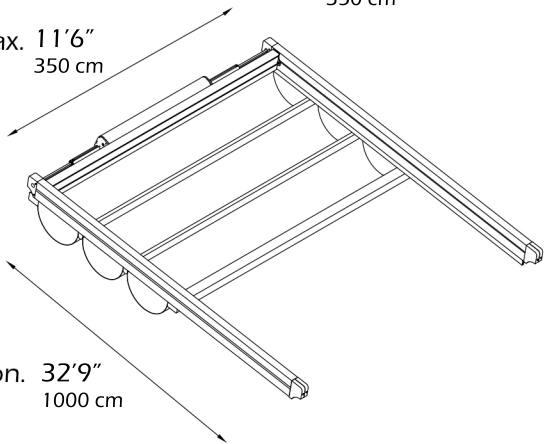
300cm > 350cm

One module with one motor & 2 rafters

max width. 11'6"

350 cm

max. 11'6"
350 cm



max projection. 32'9"
1000 cm