

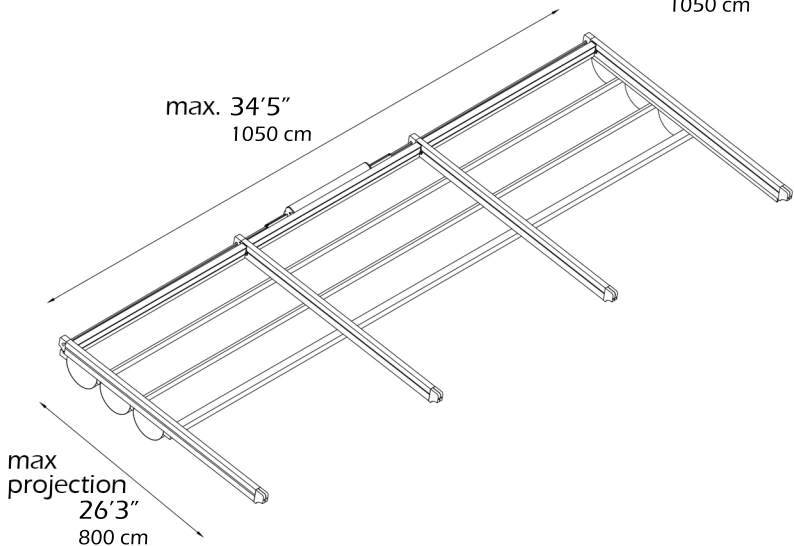
SUNTECH

flat XL [FXL3]

module 3

22' 11" > 34' 5"
700cm > 1050cm

Three module with two motors & 4 rafters
max width. 34'5"
1050 cm



For additional technical information : Tel. 954 317 3862
www.SuntechDesigns.com