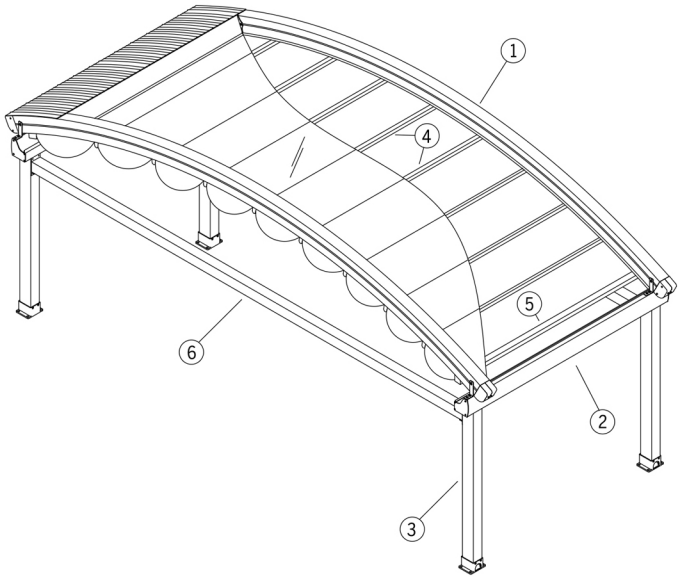
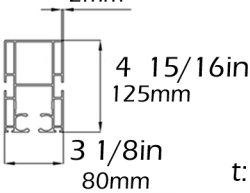


model details

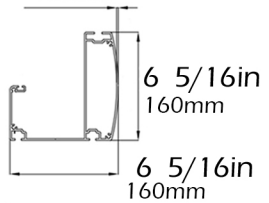


t: 0.09in
2mm



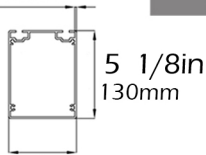
1- Rail

t: 0.1in
2.5mm



2- Gutter

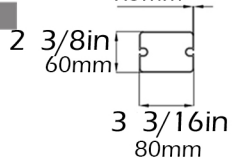
t: 0.1in
2.5mm



3 15/16in
100mm

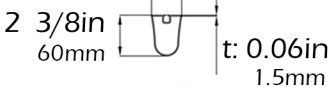
3- Post

t: 0.06in
1.5mm



5- Puller Profile

1 3/4in
44mm



4- Fabric Support