

# SUNTECH

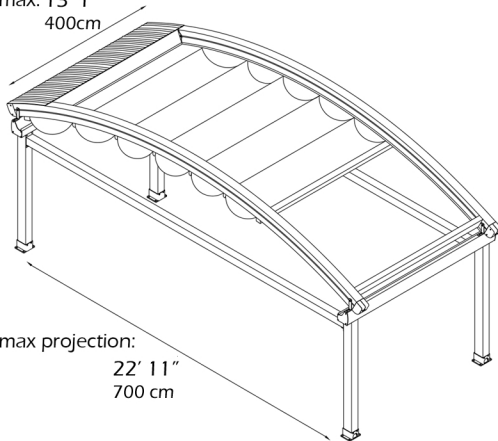
**luna LT [LLT1]**

## module 1

9' 10" - 13' 1"  
300cm - 400cm

One module with one motor & 2 rails  
max width. 13' 1"  
400cm

max. 13' 1"  
400cm



max projection:  
22' 11"  
700 cm

For additional technical information : Tel. 954 317 3862  
[www.SuntechDesigns.com](http://www.SuntechDesigns.com)