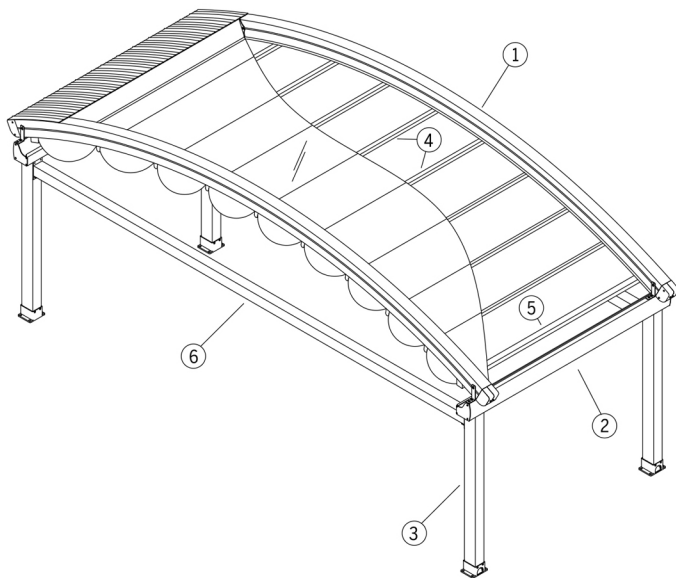
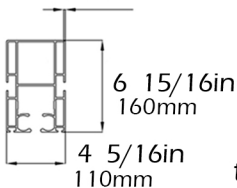


model details

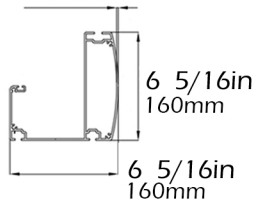


t: 0.12in
3mm



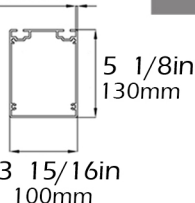
1- Rail

t: 0.1in
2.5mm



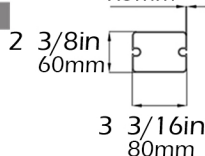
2- Gutter

t: 0.1in
2.5mm



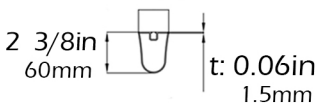
3- Post

t: 0.06in
1.5mm



5- Puller Profile

1 3/4in
44mm



4- Fabric Support