

# SUNTECH

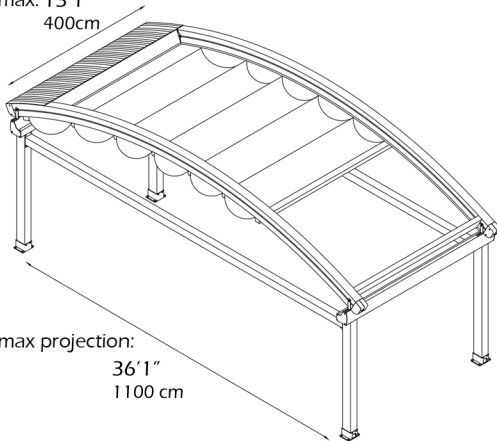
## luna XL [LXL1]

### module 1

9' 10" - 13' 1"  
300cm - 400cm

One module with one motor & 2 rails  
max width. 13'1"  
400cm

max. 13'1"  
400cm



max projection:  
36'1"  
1100 cm

For additional technical information : Tel. 954 317 3862  
[www.SuntechDesigns.com](http://www.SuntechDesigns.com)