

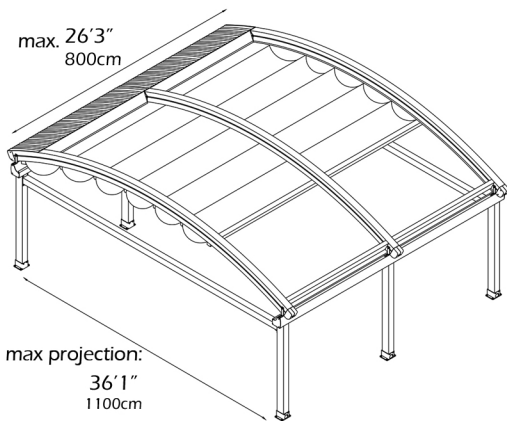
SUNTECH

luna XL [LXL2]

module 2

13' 1" - 26' 3"
400cm - 800cm

Two module with one motor & 3 rails
max width. 26'3"
800cm



For additional technical information : Tel. 954 317 3862
www.SuntechDesigns.com