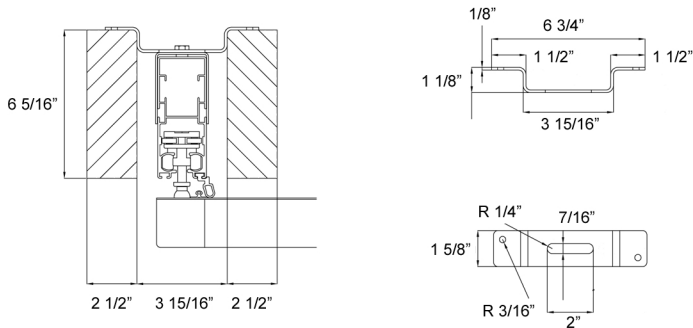


center mount installation (a)

Installation to an existing timber structure

Up to 22'11" projection, 'Hang support W160' is used



Hang support 'W160'



For additional technical information : Tel. 954 317 3862
www.SuntechDesigns.com