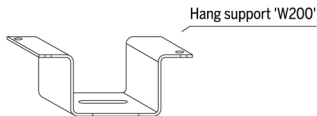
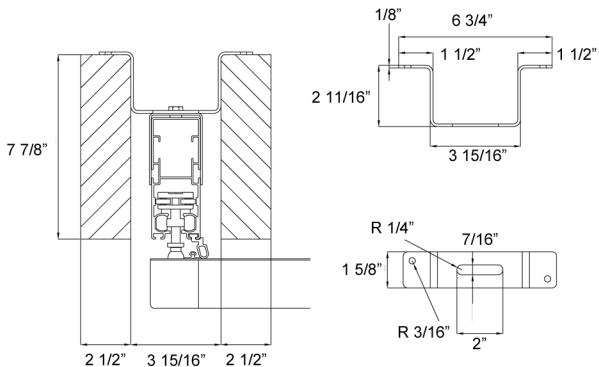


SUNTECH

pure [PCMb]

## center mount installation (b)

23' 0" - 32' 9" - 'Hang support W200' is used



For additional technical information : Tel. 954 317 3862  
[www.SuntechDesigns.com](http://www.SuntechDesigns.com)