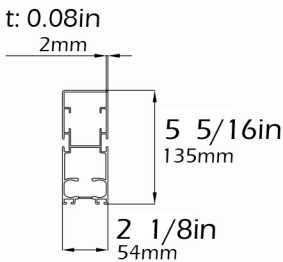
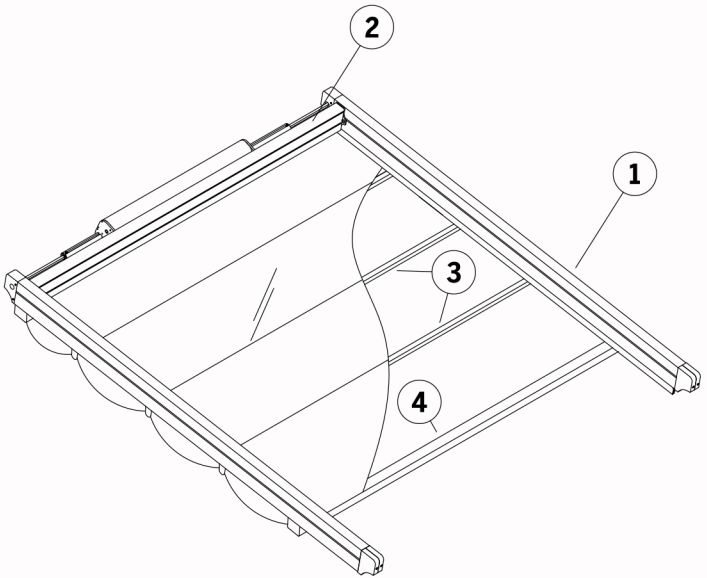
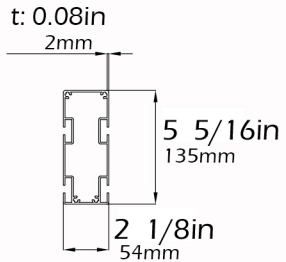


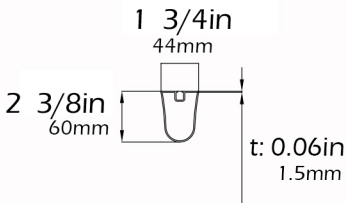
## model details



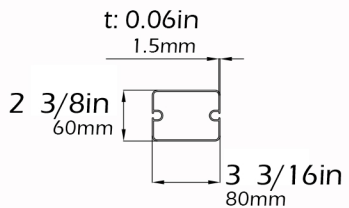
1- Rafter



2- Motor Support



3- Fabric Support



4- Puller Profile