

# SUNTECH

**pure [P1]**

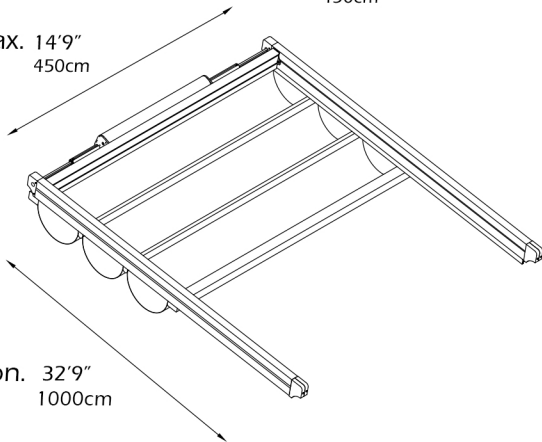
## module 1

6' 6 3/4" - 14' 9"  
200cm - 450cm

One module with one motor & 2 rafters

max width. 14'9"  
450cm

max. 14'9"  
450cm



max projection. 32'9"  
1000cm

For additional technical information : Tel. 954 317 3862  
[www.SuntechDesigns.com](http://www.SuntechDesigns.com)