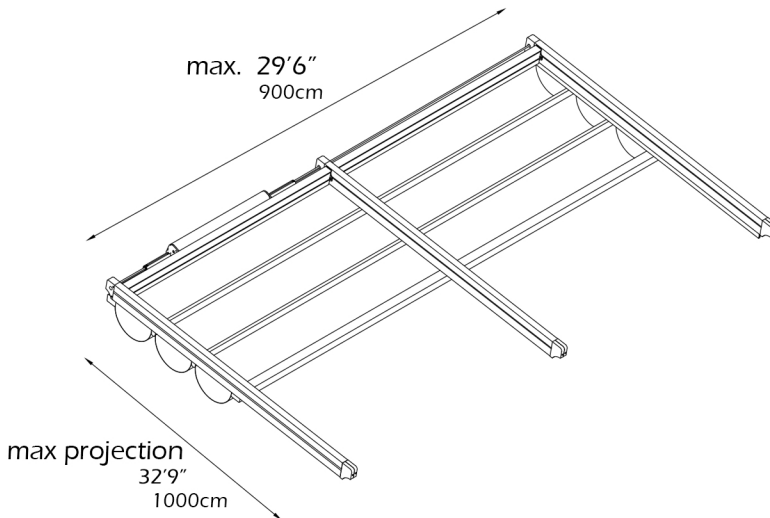


SUNTECH**pure [P2]****module 2**14' 9" - 29' 6"
450cm - 900cmTwo module with one motor & 3 rafters
max width. 29'6"
900cmFor additional technical information : Tel. 954 317 3862
www.SuntechDesigns.com