

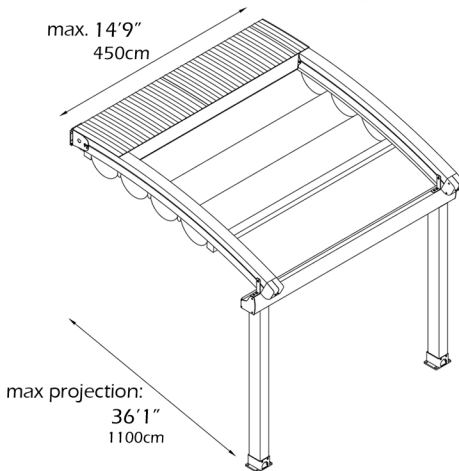
SUNTECH

radian XL [RXL1]

module 1

6' 6 3/4" - 14' 9"
200cm - 450cm

One module with one motor & 2 rafters
max width. 14'9"
450cm



For additional technical information : Tel. 954 317 3862
www.SuntechDesigns.com