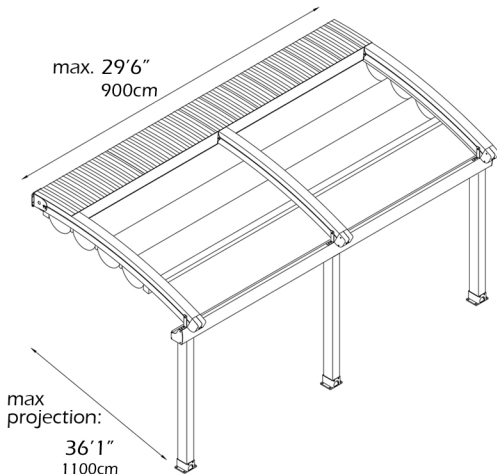


SUNTECH**radian XL [RXL2]****module 2****14' 9" - 29' 6"**
450cm - 900cm

Two module with one motor & 3 rafters
max width. 29'6"
900cm



For additional technical information : Tel. 954 317 3862
www.SuntechDesigns.com