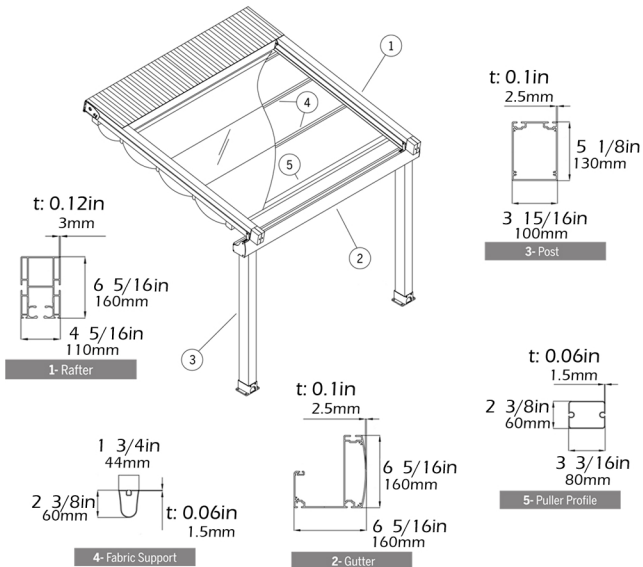


SUNTECH

model details

smooth [SMD]



For additional technical information : Tel. 954 317 3862
www.SuntechDesigns.com