

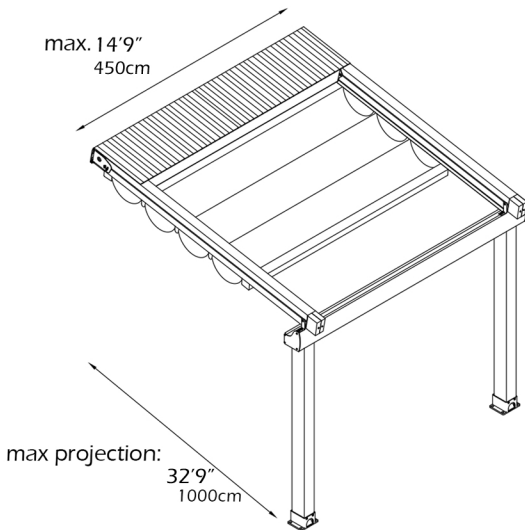
# SUNTECH

**smooth [S1]**

## module 1

6' 6 3/4" - 14' 9"  
200cm - 450cm

One module with one motor & 2 rafters  
max width. 14'9"  
450cm



For additional technical information : Tel. 954 317 3862  
[www.SuntechDesigns.com](http://www.SuntechDesigns.com)