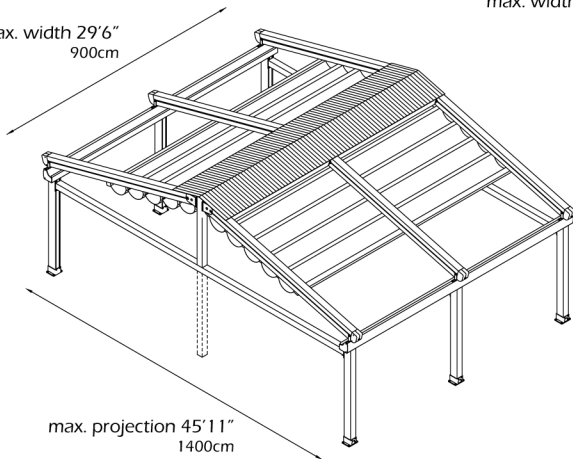


SUNTECH**tw22 LT [TW22LT2]****module 2****14' 9" - 29' 6"**
450cm - 900cmTwo module with 2 motors & 6 rafters
max. width 29'6"
900cmmax. width 29'6"
900cmmax. projection 45'11"
1400cmFor additional technical information : Tel. 954 317 3862
www.SuntechDesigns.com