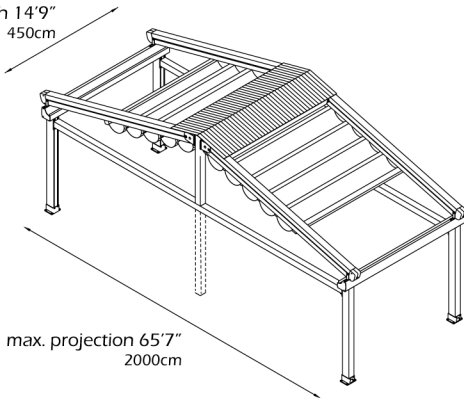


SUNTECH**tw22 XL [TW22XL1]****module 1****9' 10" - 14' 9"**
300cm - 450cmOne module with 2 motors & 4 rafters
max. width 14'9"
450cmmax. width 14'9"
450cmmax. projection 65'7"
2000cmFor additional technical information : Tel. 954 317 3862
www.SuntechDesigns.com