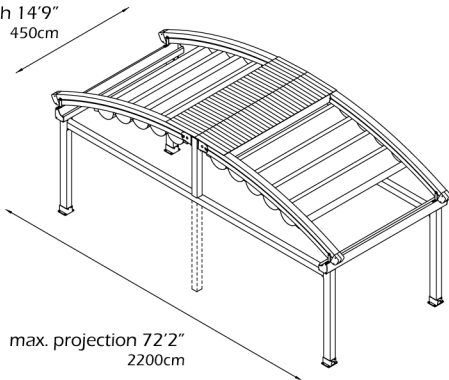


SUNTECH**tw33 XL [TW33XL1]****module 1****9' 10" - 14' 9"
300cm - 450cm****One module with 2 motors & 4 rafters
max. width 14'9"
450cm****max. width 14'9"
450cm****max. projection 72'2"
2200cm**

For additional technical information : Tel. 954 317 3862
www.SuntechDesigns.com