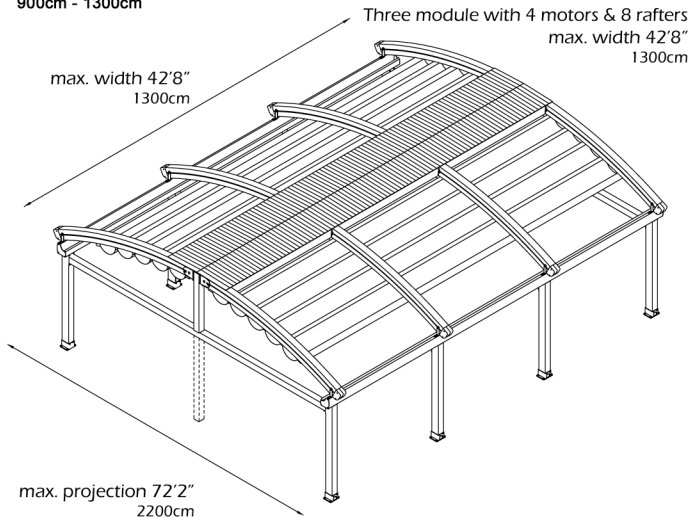


**SUNTECH****tw33 XL [TW33XL3]****module 3**

29' 6" - 42' 8"  
900cm - 1300cm



For additional technical information : Tel. 954 317 3862  
[www.SuntechDesigns.com](http://www.SuntechDesigns.com)