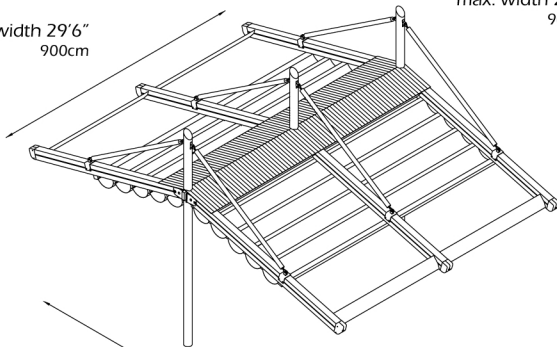


**SUNTECH****tw55 XL [TW55XL2]****module 2****14' 9" - 29' 6"**  
**450cm - 900cm****Two module with 2 motors & 6 rafters**  
**max. width 29'6"**  
**900cm****max. width 29'6"**  
**900cm****max. projection 32'9"**  
**1000cm**

For additional technical information : Tel. 954 317 3862  
[www.SuntechDesigns.com](http://www.SuntechDesigns.com)