

# SUNTECH

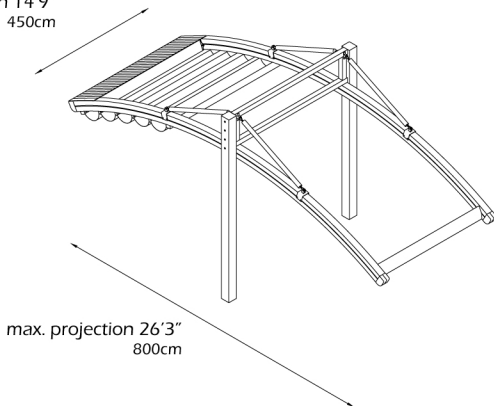
**tw99 XL [TW99XL1]**

## module 1

9' 10" - 14' 9"  
300cm - 450cm

One module with one motor & 2 rafters  
max. width 14'9"  
450cm

max. width 14'9"  
450cm



For additional technical information : Tel. 954 317 3862  
[www.SuntechDesigns.com](http://www.SuntechDesigns.com)