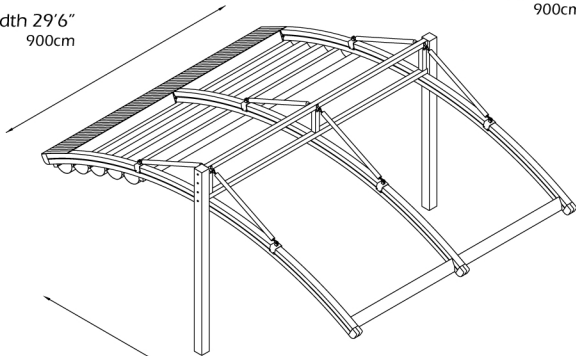


SUNTECH**tw99 XL [TW99XL2]****module 2****14' 9" - 29' 6"**
450cm - 900cmTwo module with 1 motor & 3 rafters
max. width 29'6"
900cmmax. width 29'6"
900cmmax. projection 26'3"
800cmFor additional technical information : Tel. 954 317 3862
www.SuntechDesigns.com